



KAYDEE

SHADING SOLUTIONS



SHADA 300®
Mid-range Roller Blinds



Shada 300®

A tough mid-range roller blind that targets both durability and style



With a larger roller tube, high grade steel mounting brackets as standard, fabric fixing by removable spline as well as a choice of colour co-ordinated exposed bottom bars and a host of options, all backed by a 5 year fit for use operational warranty, the Shada 300 is a step up in terms of both design and durability.

The Shada 300 is ideal for offices and other commercial projects but is equally found in diverse environments from education to healthcare – wherever an extra degree of style and durability are required.

BENEFITS

- Wide enough for all standard window designs
- Easy operation of wide roller blinds – includes the option of 'Energy Store' assisted lift
- Steel mounting brackets to ensure rigid fixing come with bracket covers as standard
- Spline fixing of fabric ensures a permanent attachment
- Operating options include metal bead chain, crank and hard-wired or radio controlled electric motors
- Design options include an option for a mechanism concealing fascia
- Style enhancement options include coordinated coloured plastic bead chain as well as colour coordinated exposed bottom bars
- Functional options include side guide wires and the Kaydee channel and peg system

KEY FEATURES

- Up to 45mm aluminium roller tube with internal reinforcing fins
- Steel mounting brackets
- Fabric fixed by removable spline for easy fabric replacement
- Fabric fixed by double-sided blind fixing tape
- Exposed, colour co-ordinated bottom weight bar
- Sidewinder operation with optional 'Energy Store' assisted lift
- Choose from an exclusive range of Kaydee blind fabrics
- 5 year operational warranty



OPTIONS

- 'Energy Store' – assisted lift
- Metal bead chain
- Colour co-ordinated nylon bead chain
- Fixed or detachable crank
- Electric operation – hardwired or radio controlled
- Fascia
- Side guide wires
- Kaydee 'channel and peg' side fixing system

SPECIFICATION

Kaydee Shada 300 Commercial roller blind with side control operating mechanism. You can download this specification in NBS format directly from www.kaydeeb blinds.com/productrange

Roller tube

Extruded aluminium with reinforcing internal fins

Fixing brackets

White powder coated steel suitable for top, face or side fixing and left or right hand control

Bottom bar

Exposed aluminium colour coordinated with _____ profile

Fabric fixing

By removable push fit flexible spline.

Operating system

(delete as applicable)

Side winder control with nylon/colour coordinated nylon/metal operating chain. Option for Energy Store lift assist Yes/No

Fabrics (insert as applicable)

Material _____

Colour _____

Warranty

5 years operational 'fit for use' and 3 years on electrical components.

Leading dimensions

(Dependent on fabric weight)

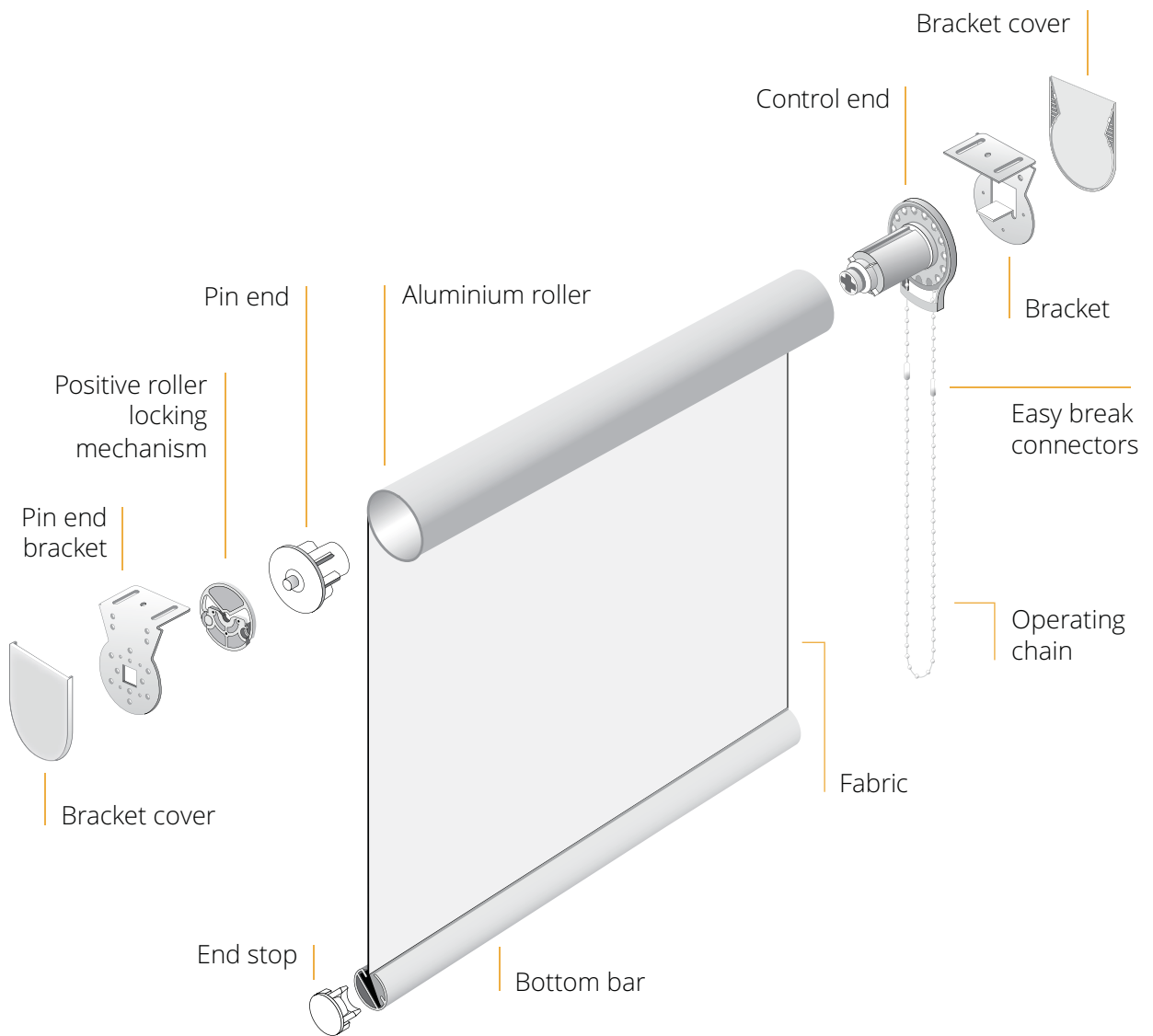
Max width: 3,000mm

Max drop: 3,500mm

Shada 300® Technical Data

All images are for illustrative purposes only and are not to scale.

Kaydee has a policy of continuous improvement and reserves the right to update any specification without notice.

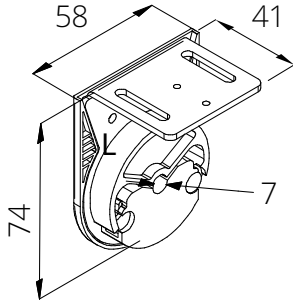




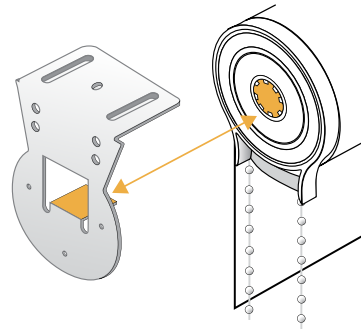
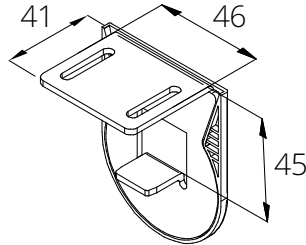
Shada 300® Parts

BRACKETS WITH DIMENSIONS AND FITTING

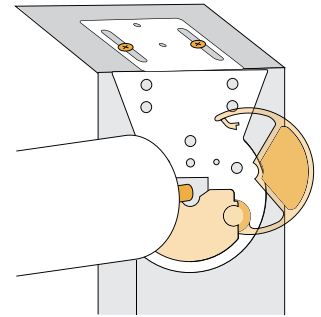
PIN END BRACKET



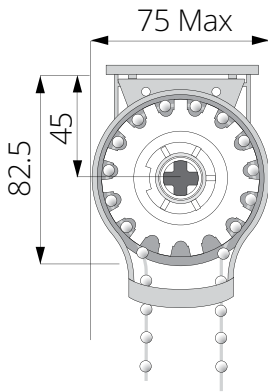
CONTROL END BRACKET CONTROL END FITTING



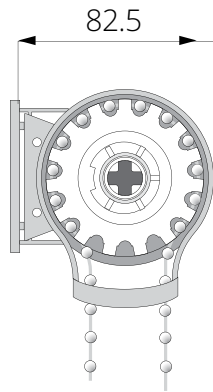
PIN END FITTING



TOP FIX

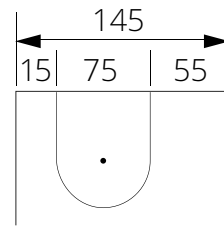


FACE FIX

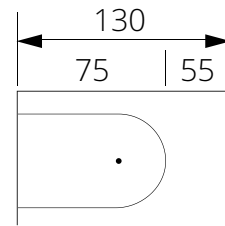


POCKET DIMENSIONS

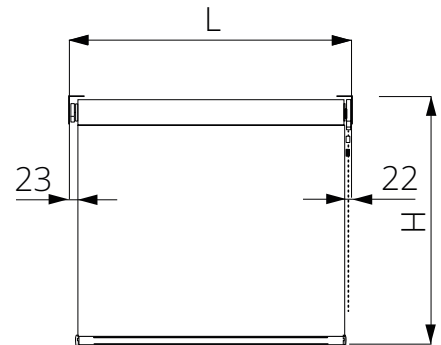
TOP FIX



FACE FIX



LIGHT GAP



Roller position and max wind up diameter

BOTTOM BAR DIMENSIONS

Dia. 22



MAXIMUM BLIND DIMENSIONS

Blind Width: 3,000mm

Blind Drop: 3,500mm

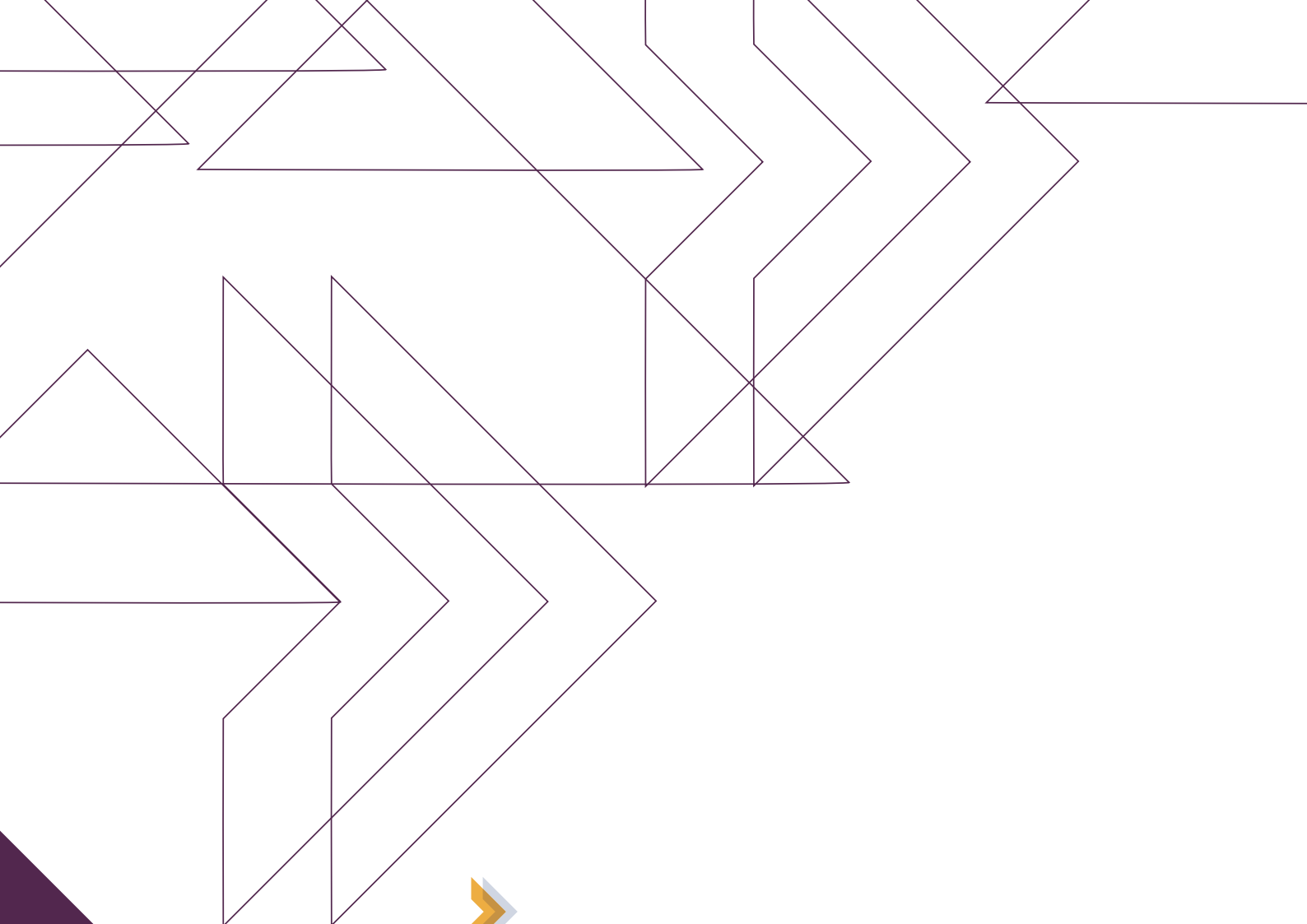
Max System Weight: 4.5kgs

Max Roll Up Diameter: 75mm

Your choice of fabric may be affected by both the thickness and the weight of the fabric chosen.

EXAMPLES

Fabric Name	Fabric Type	Weight (g.s.m)	Thickness (mm)
Artisan	Dim-out	265	0.35
Diffusor	Screen	470	0.60
Sombra Eco	Blackout	425	0.32



KAYDEE

SHADING SOLUTIONS



Jubilee House
No. 3 Gelders Hall Road
Shepshed
Loughborough
Leicestershire
LE12 9NH

T: 01332 851400
email: sales@kaydeeb blinds.com
www.kaydeeb blinds.com