



**KAYDEE**

SHADING SOLUTIONS



**SHADA 500**  
Premium Roller Blinds



## Shada 500®

### A premium roller blind - precise engineering meets elegant style



A precisely engineered orbital gearing system, with spring assist, lies at the heart of the manual Shada 500 roller blind mechanism. The Shada 500 is extraordinarily quiet and smooth in operation and accepts the high loads of very wide spans with no complaint.

All bearings are sealed for life with very low friction roller bearings. This includes the ultra slim intra blind bracket which minimises gaps between blinds and permits the coupling of several blinds to span a very wide window aperture without any operational problem.

The electric version benefits from a powerful high torque, low noise electric motor which can be operated by radio-remote, infra-red or hard wired control systems and can equally be wired into a building management system.

#### BENEFITS

- All components are quality assured which add up to a 10 year operational warranty
- Carefully selected roller tubes ensure no sagging or creasing of your blind fabric
- Orbital gearing system guarantees ease of operation
- Spline fixing of fabric ensures a permanent attachment
- Link up to 10 blinds and still maintain smooth and precise control
- Energy-store system makes for easy lifting – especially on larger blinds
- Heavy duty brackets ensure fixing for life
- Style comes as standard, which emphasizes the exclusivity of this luxury product

#### KEY FEATURES

- Roller tube range with internal reinforcing fins to match to span and fabric requirements
- 3-1 ratio orbital gearing
- Fabric locked in top and bottom with secure spline fixing
- Specially designed universal zinc-plated or RAL coated heavy duty steel brackets
- Fabric fixed by double-sided blind fixing tape
- Sealed for life very low friction roller bearings
- Slim-line inter-blind brackets
- Choose from an exclusive range of Kaydee blind fabrics
- Distinctive bottom weight bar
- Metal bead chain as standard



## OPTIONS

- Shada 500 E – tubular motor with hard-wired switch, IR or radio controlled options
- Fixed or detachable crank
- Fascia
- Side guide wires
- Kaydee – ‘peg and channel system’
- Colour co-ordinated nylon bead chain

## SPECIFICATION

Kaydee Shada 500 Commercial roller blind with side control operating mechanism. You can download this specification in NBS format directly from [www.kaydeeb blinds.com/productrange](http://www.kaydeeb blinds.com/productrange)

### Manual operation

Kaydee Shada 500 manually operated roller blind with orbital gearing control, Energy Store® spring assist mechanism and Fabric-Loc fabric fixing system. Metal bead chain and 3-1 ratio orbital gearbox.

### Electric operation

Kaydee Shada 500E has a tubular electric motor contained within the roller tube operated by hard wired switch, IR or radio control.

### Tube

**Manual:** 38, 47, 61 and 65 mm roller tube.

**Electric:** 40, 61 or 78mm roller tube  
Both complete with Fabric-Loc fabric spline key.

### Bottom bar

Exposed or cloth covered bottom bar.

### Fabric fixing

By Fabric-loc key to aluminium roller tube to ensure secure fixing and yet easy removal for removal and replacement of fabric.

### Fabrics (insert as applicable)

Material \_\_\_\_\_

Colour \_\_\_\_\_

### Warranty

12 months operational ‘fit for use’ on all mechanical parts and 3 years on electric components.

*“Without the help from you and your team, and your on-site efforts, the project would not have been the success it was.”*

Tim Perkins, Group Construction Director  
MCS Group – On completion of Ferrari  
Showroom, Egham, Surrey.

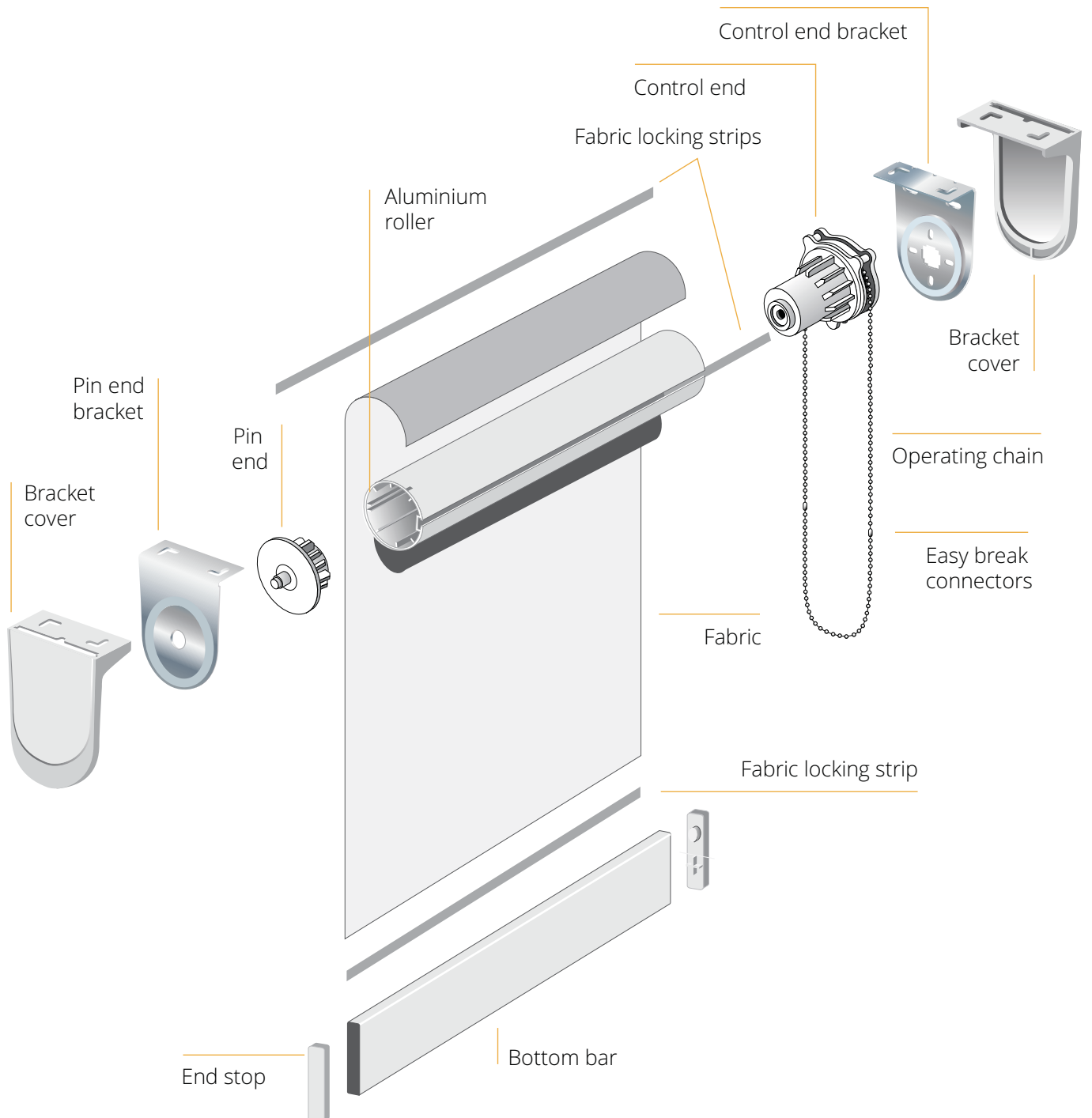




## Shada 500® Technical Data

All images are for illustrative purposes only and are not to scale.

Kaydee has a policy of continuous improvement and reserves the right to update any specification without notice.

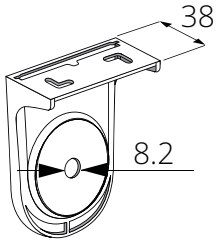




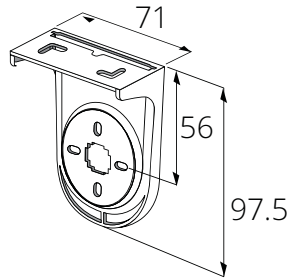
# Shada 500® Parts

## BRACKETS WITH DIMENSIONS AND FITTING

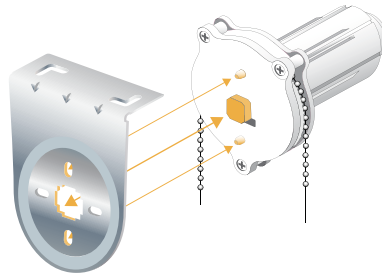
Pin end bracket



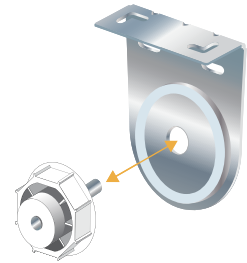
Control end bracket



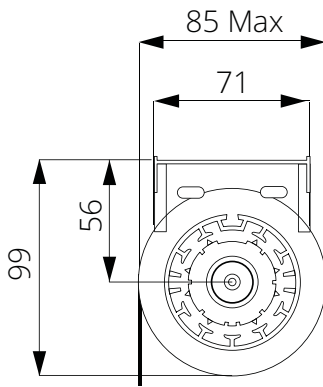
Control end fitting



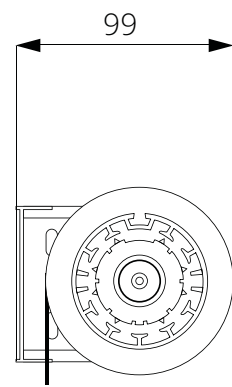
Pin end fitting



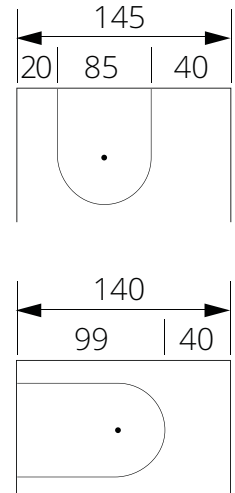
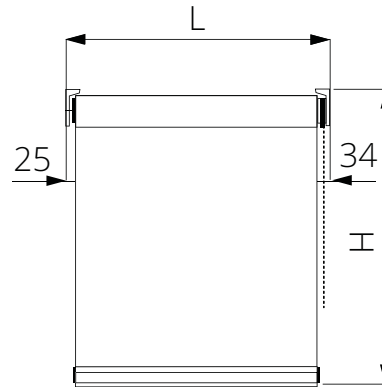
Top fix



Face fix

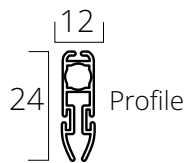


Light gap



Roller position and max wind up diameter

## BOTTOM BAR DIMENSIONS



## MAXIMUM BLIND DIMENSIONS

**Blind Width:** 5,000mm

**Blind Drop:** 6,000mm

**Max System Weight:** 10kgs

**Max Roll Up Diameter:** 71mm

Your choice of fabric may be affected by both the thickness and the weight of the fabric chosen.

## EXAMPLES

Fabric Name	Fabric Type	Weight (g.s.m)	Thickness (mm)
Artisan	Dim-out	265	0.35
Diffusor	Screen	470	0.60
Sombra Eco	Blackout	425	0.32



## The strength behind the name

**Consider the value you get from sourcing your commercial blinds from Kaydee. We have built our reputation on decades of specialisation in your market. So, quite simply, you get excellence as standard.**

### **Competitive prices**

The best prices combined with vast choice are just two reasons why Kaydee brings you the best solution – within your budget. Guaranteed.

### **We are answerable**

Unlike distributors, Kaydee supports your project from specification to installation. Add good communications to answerability and you get just the solution that you need.

### **On time every time**

Our commitment to you is that we meet our contractual deadlines. On time, every time. Isn't that good for your peace of mind?

### **Total control**

From start to finish, Kaydee will nurture your project with pride and professionalism. Our project management skills give you total confidence.

### **Excellent guarantees**

For no extra cost, our commercial blinds come with up to a 10 year fit-for-use warranty. We back our quality: that's your guarantee.

### **Experience counts**

There is no substitute for Kaydee experience – twenty-five years' innovation, exclusivity and customer care. For you, that means no surprises – you get exactly what you asked for.

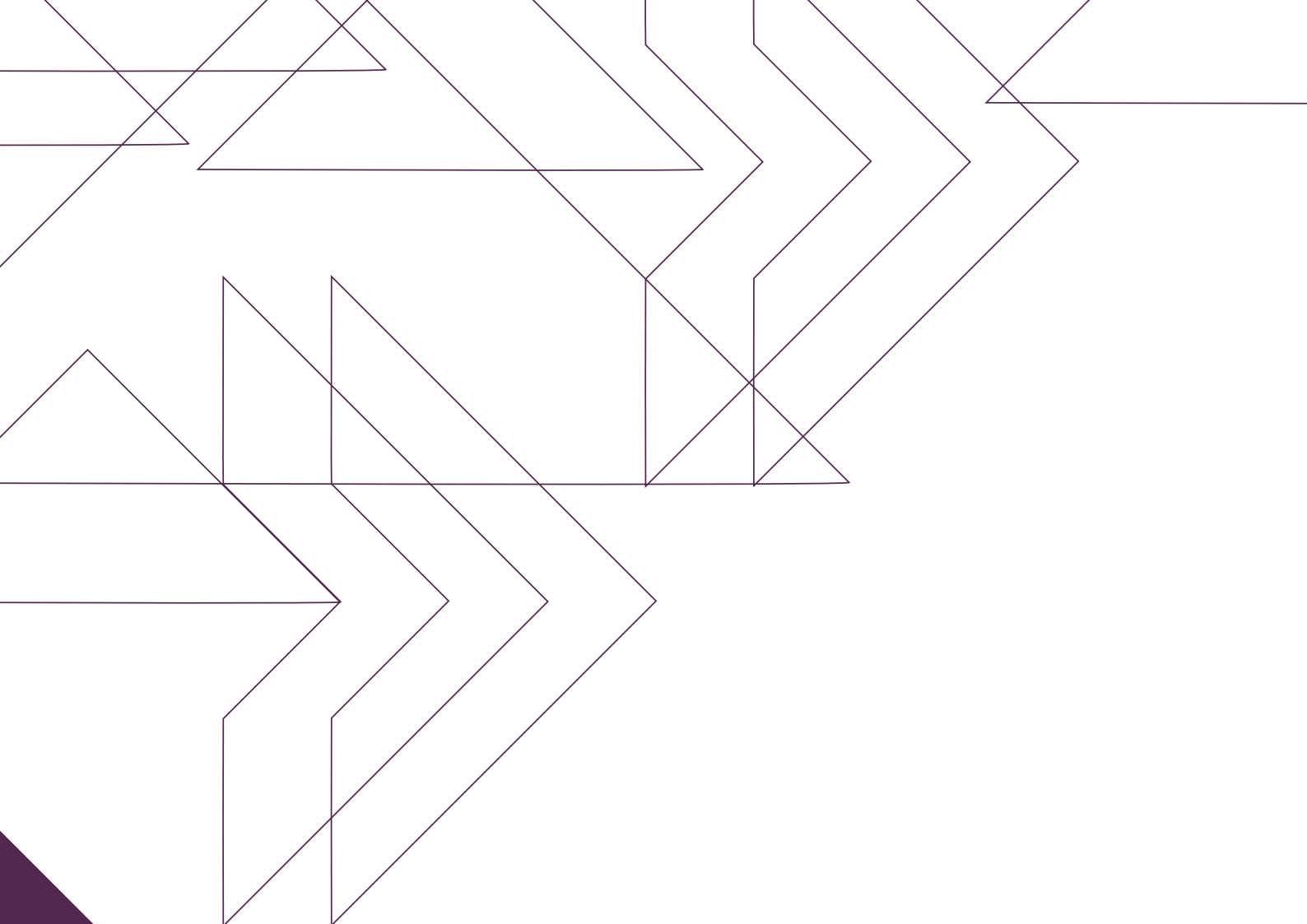
### **Safe too**

Safe installation, safe operation. Kaydee staff are experts in health and safety. Their training and experience helps reduce your risks.

### **Easy on the eye**

Cosmetically or architecturally – blinds have to look right. Kaydee's vision in colour, texture and style will make the right visual statement for you.





**KAYDEE**

SHADING SOLUTIONS



City Gate  
London Road  
Derby  
DE24 8WY

T: 01332 851400  
F: 01332 294573  
email: [sales@kaydeeb blinds.com](mailto:sales@kaydeeb blinds.com)  
[www.kaydeeb blinds.com](http://www.kaydeeb blinds.com)